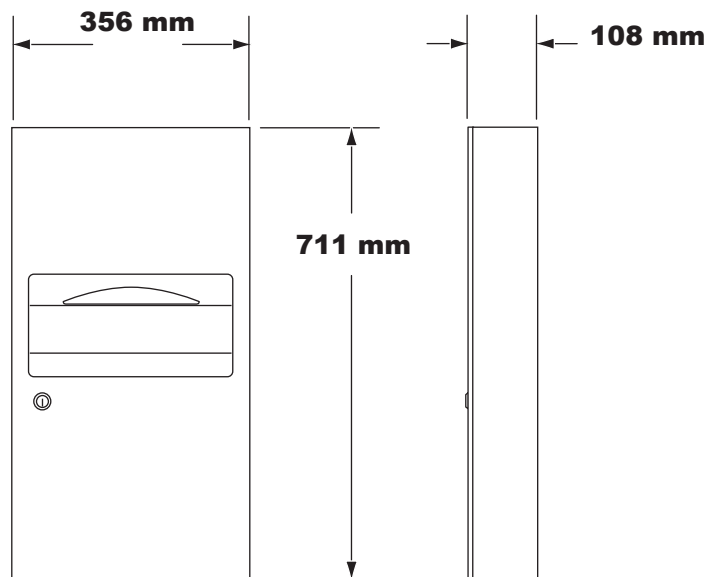
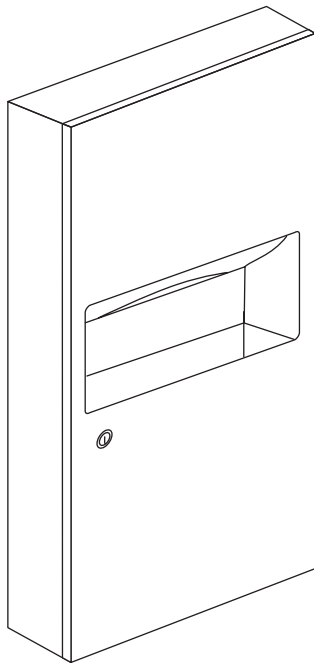


**FICHE TECHNIQUE**

**TECHNICAL DATA SHEET**

All information within this document has been compiled very carefully. Nevertheless, we cannot accept any responsibility for printing errors. The company reserves the right to improve, alter or change the appearance, design and technical specifications of its products and any of its supplies at any time and without prior notice.  
**Document non contractuel. Les caractéristiques techniques ainsi que les prix ne sont donnés qu'à titre indicatif et peuvent changer sans préavis.**



**AX 92 07**

**COMBINÉ :**  
**DISTRIBUTEUR D'ESSUIE-MAINS & POUBELLE**  
**EN ACIER INOX 304 SATINÉ**

**Porte «Monobloc»**  
**Anti-vandalisme**  
**Fixations invisibles**  
**Fermeture à clef**  
**Contenances : 400 Feuilles & 5 L**  
**Sac-poubelle invisible**

**Largeur : 356 mm**  
**Hauteur : 711 mm**  
**Saillie : 108 mm**

**COMBINED UNITS :**  
**PAPER TOWEL DISPENSER & WASTE RECEPTACLE**  
**in satin stainless steel**

**«Monobloc» Door**  
**Vandal proof : door closed by 1 lock**  
**Concealed mounting**  
**Concealed full length stainless steel piano hinge**  
**Capacity : 400 towels and 5 L waste receptacle**  
**invisible garbage bag**

**Width : 356 mm**  
**Height : 711 mm**  
**Depth : 108 mm**

**If you do not have depth to recessed, see AX 92 23  
E105 or AX 92 23 or we can do semi-recessed or wall  
mounted products.**

**Pour le nettoyage : se référer à la fiche technique sur le nettoyage.** **For cleaning : see technical data sheet on cleaning.**