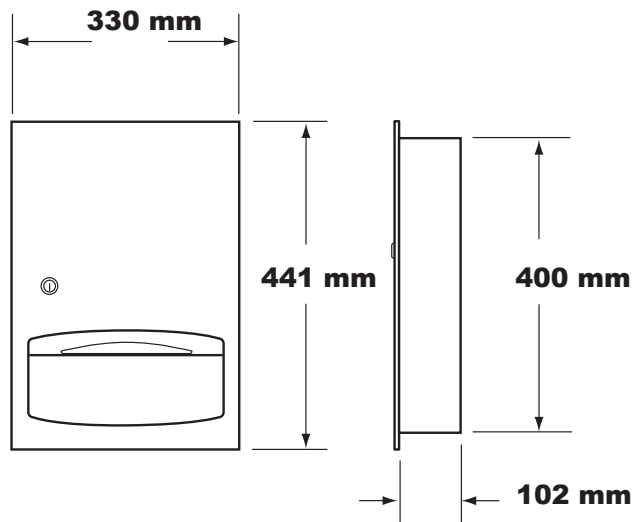
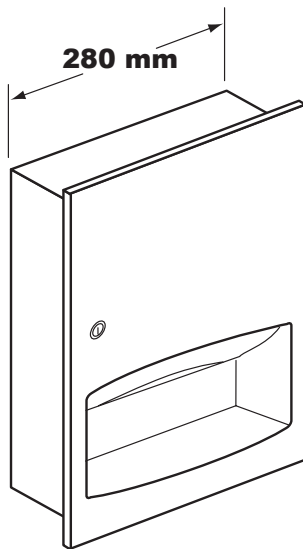


FICHE TECHNIQUE

TECHNICAL DATA SHEET

All information within this document has been compiled very carefully. Nevertheless, we cannot accept any responsibility for printing errors. The company reserves the right to improve, alter or change the appearance, design and technical specifications of its products and any of its supplies at any time and without prior notice.
Document non contractuel. Les caractéristiques techniques ainsi que les prix ne sont donnés qu'à titre indicatif et peuvent changer sans préavis.



AX 90 14 E

**DISTRIBUTEUR D'ESSUIE-MAINS
EN ACIER INOX 304 SATINÉ**

**Encastré
Fixations invisibles
Anti-vandalisme
Fermeture à clef
Porte «monobloc»**

**RECESSED PAPER TOWEL DISPENSER
STAINLESS STEEL SATIN FINISH**

**Recessed
Concealed mounting
Vandal proof
with Lock
«monobloc» door**

Pour le nettoyage : se référer à la fiche technique sur le nettoyage. For cleaning : see technical data sheet on cleaning.