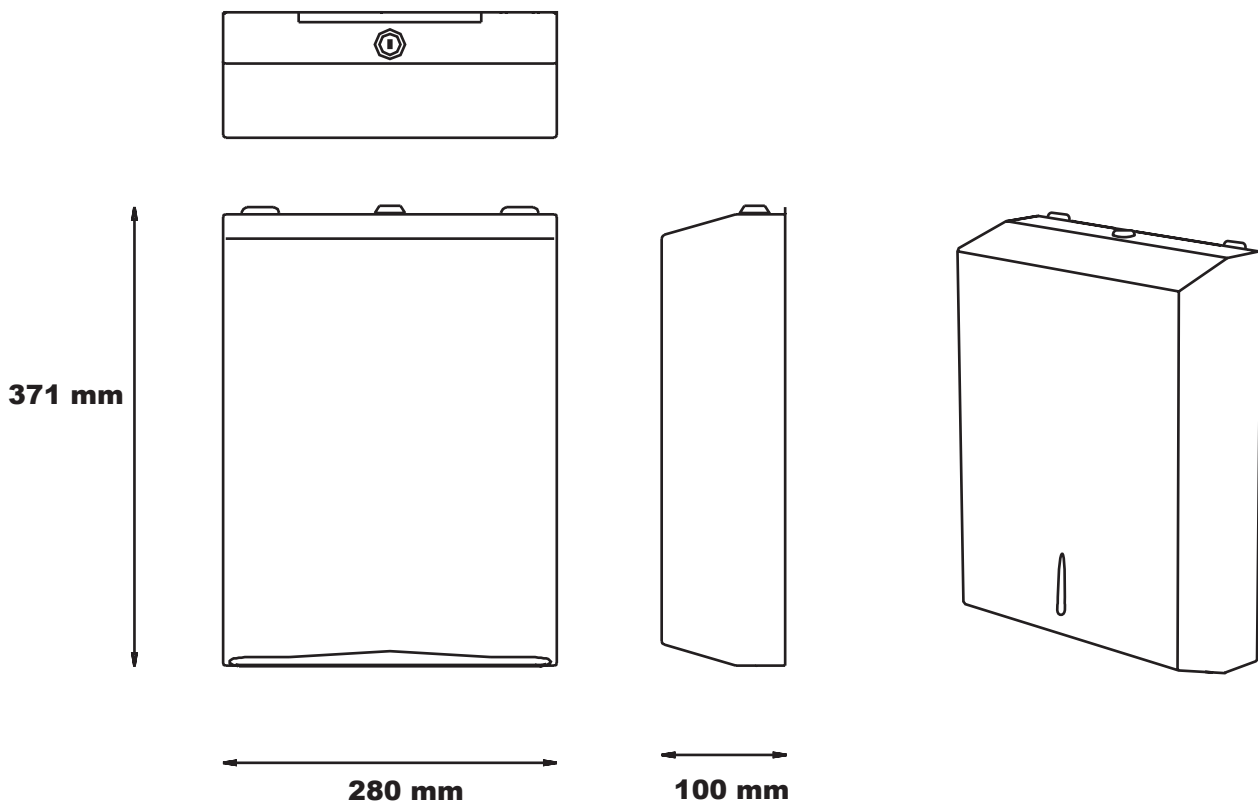


FICHE TECHNIQUE

TECHNICAL DATA SHEET

All information within this document has been compiled very carefully. Nevertheless, we cannot accept any responsibility for printing errors. The company reserves the right to improve, alter or change the appearance, design and technical specifications of its products and any of its supplies at any time and without prior notice.
Document non contractuel. Les caractéristiques techniques ainsi que les prix ne sont donnés qu'à titre indicatif et peuvent changer sans préavis.



AX 90 01 P

**DISTRIBUTEUR D'ESSUIE-MAINS
EN ACIER INOX 304 POLI MIROIR**

Fixations invisibles
Fermeture à clef (sur le dessus)
Anti-vandalisme
Voyant de remplissage
Charnière piano sur toute la largeur

AX 90 01 : inox satiné

AX 90 01 P : inox poli miroir

**PAPER TOWEL DISPENSER
BRIGHT MIRROR POLISHED STAINLESS STEEL**

Concealed mounting
with Lock (on top)
Vandal proof
Front Hole to see paper level
Concealed full length stainless steel piano hinge

AX 90 01 : stainless steel satin finish

AX 90 01 P : stainless steel bright mirror polished finish

Pour le nettoyage : se référer à la fiche technique sur le nettoyage. For cleaning : see technical data sheet on cleaning.